

### EVERGREEN SHELVING

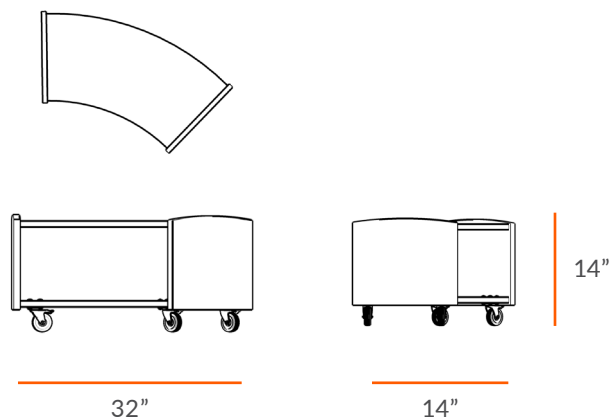


#### Description

Offers both seating and storage and pairs well with other **15 series Evergreen** shelves to provide room division and storage in your learning space. Pair multiples of this unit together to create a cozy, informal sitting area. Included with locking castors for added flexibility. Highly durable, with finger friendly edges, this shelf is ideal for use in all early learning, kindergarten and elementary school environments.

#### Product features

- Edges all smoothed and finished
- On lockable casters
- Storage space underneath



#### Materials

- Europly FSC Certified hardwood plywood (FSC R012337)
- MPX® FSC Certified hardwood plywood (FSC R 012337)

### EVERGREEN SHELVING

LENGTH 32"

DEPTH 14"

HEIGHT 14"

Dimensions indicated are approximate. Please contact us if you require clarification.

